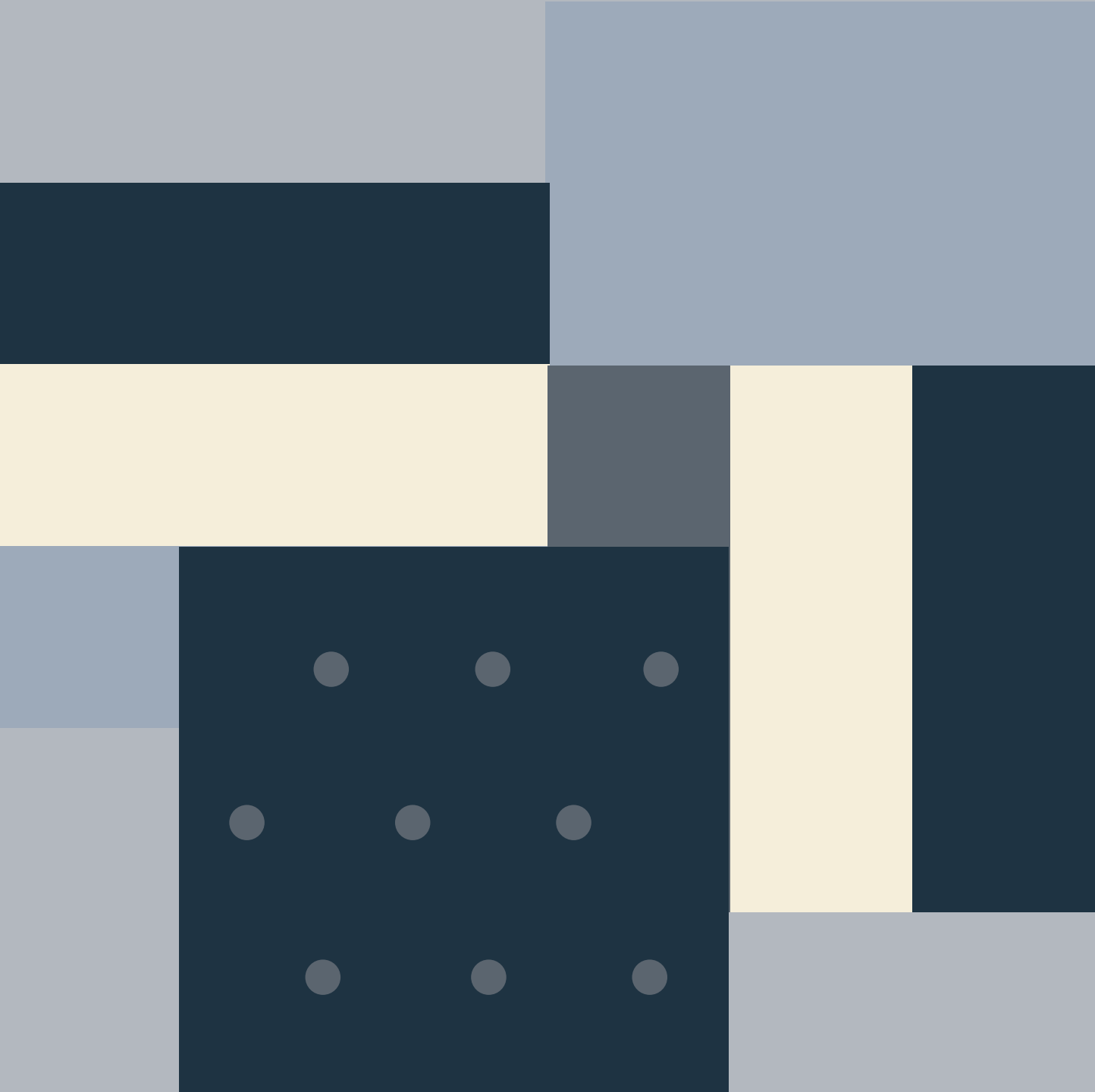


et al.

seats for living



space+

modular upholstered system
(restyling space)

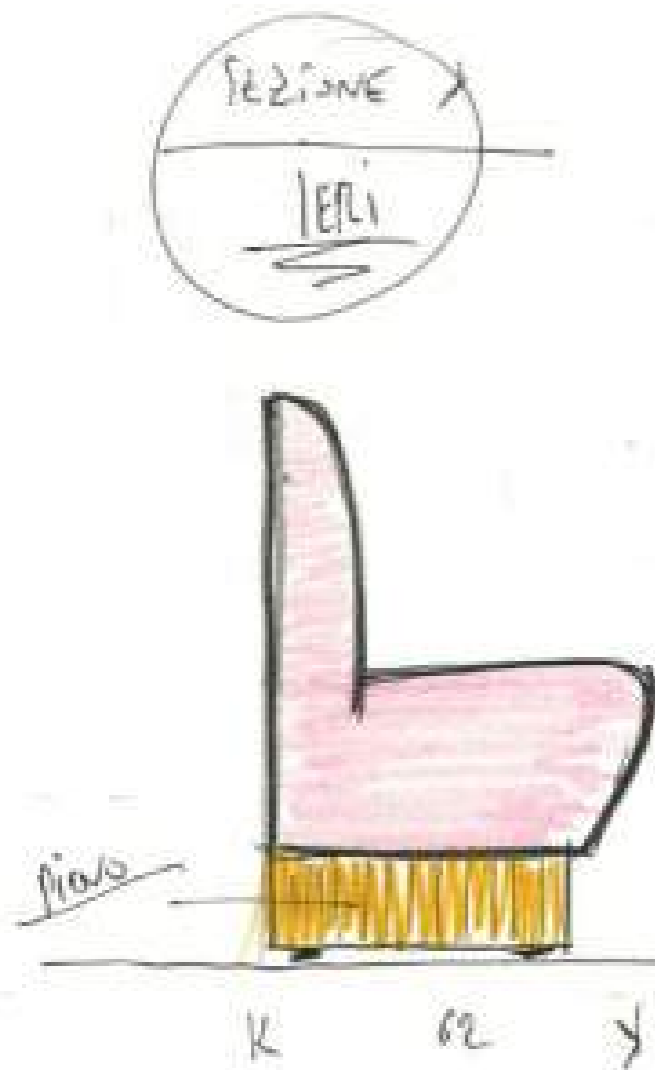
The restyling of Space was conceived to simplify and lighten the design of the seat, removing unnecessary elements and assuring maximum comfort and ergonomics.

This is how Space+ was born.

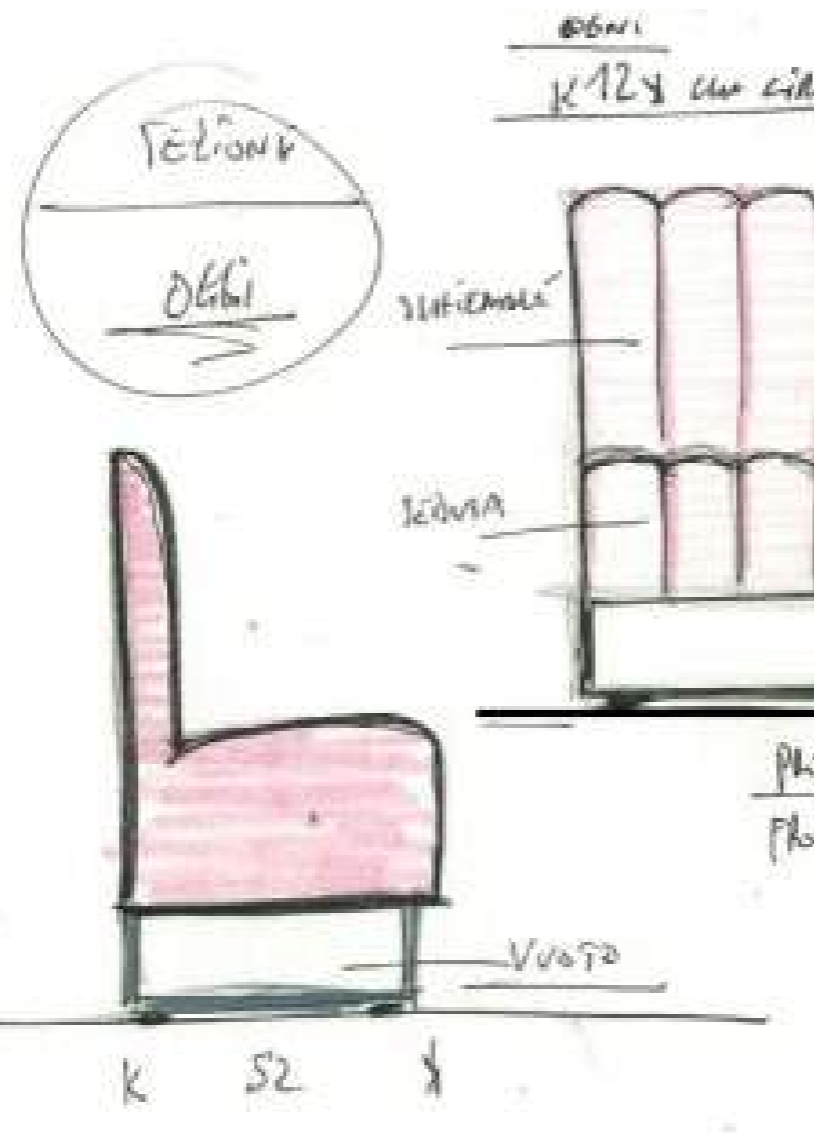
With a variety of fabrics and stitchings available, it is possible to customize the backrest to create a cohesive look that is perfectly assimilated into the furniture. The lower part has been slimmed down, removing the covering panels and showing the steel structure, adding a modern and polished style.

space+

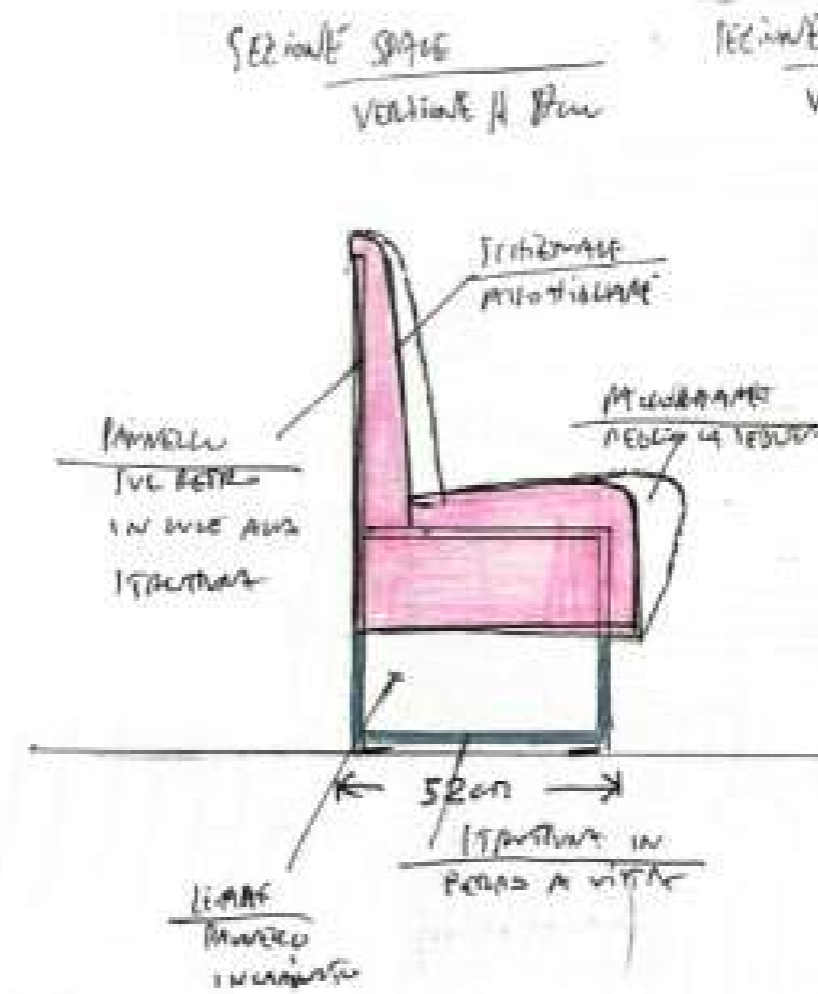
space



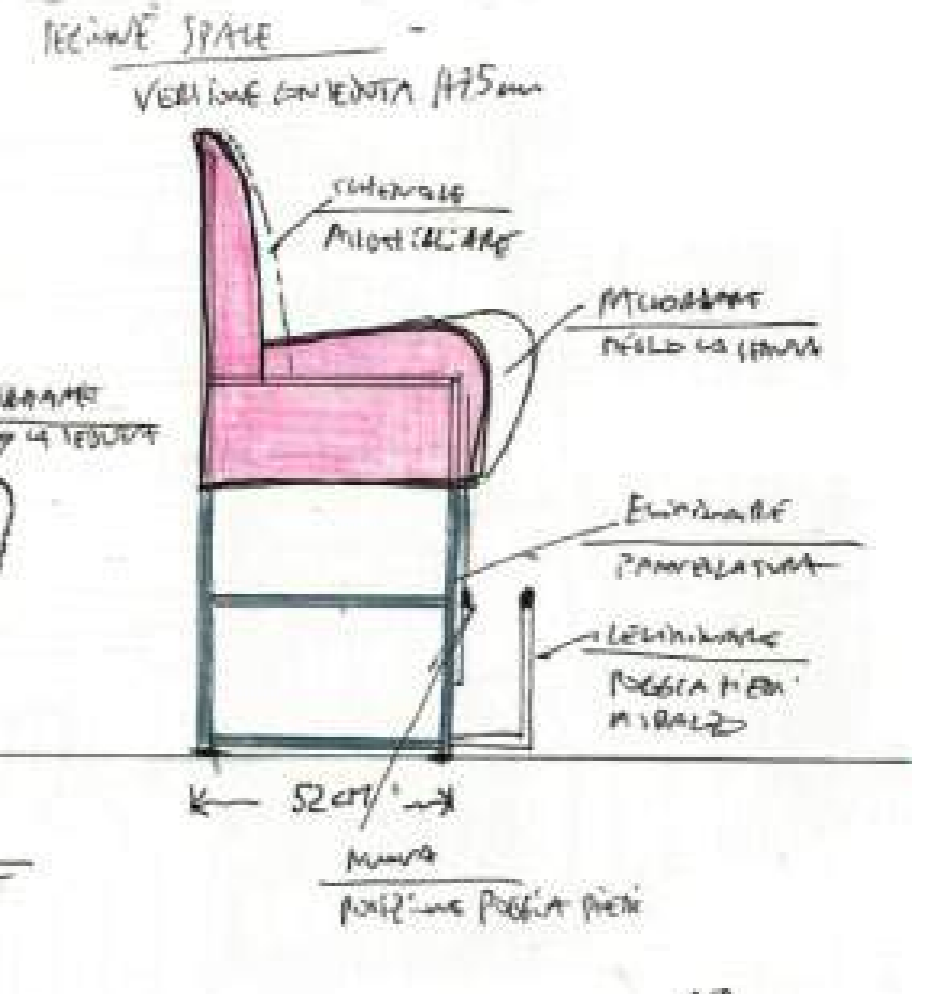
space+



space+
(seat h.47)



space+
(seat h.75)



Collection composed of modular system
with steel tube frame, upholstered seat and backrest.

space+

(restyling space)



space



Elimination of the laminate panels
(present only as accessory).
Finished side in each module
(not only at the ends of the compositions).
Modular system with 15 cm of distance between stitchings.
(for customization of backrests).
Two seat heights, two backrest heights,
four different backrest customization.

space +



space + with laminate panels



space +



Available:
backrests in different heights
backrests with different upholstering works



space +



Available with or without laminate panel
in the bottom part of the structure

space +



space +



space +



space +



space +



Space+ 1401A, linear module L.90 (2 pcs.)
Space+1400A, linear module L.75 (2 pcs.)
Space+ 1405A, 90° corner module (2 pcs.)

space +



Version with seat h.75



space +



Version with seat h.75

space +



Seat with fabric in different finish to the one in back and sides.

space +



Backrest choices
modules with backrest h.100
modules with backrest h.140
(They can be combined each other)



Backrests choises

Backrest with smooth upholstery.

Backrest with vertical stitchings.

Backrest with buttons.

Backrest with horizontal stitchings.



Accessories

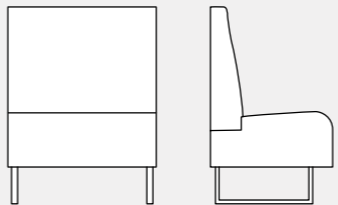
Upholstered rear closing panel



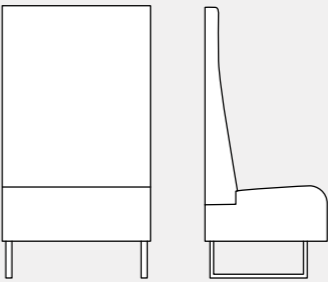
Closure laminate panel
in the lower part of the frame



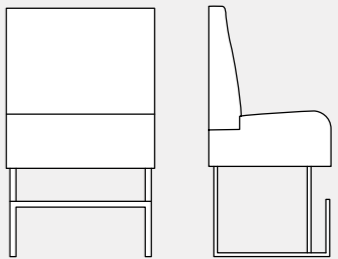
Schuko socket/USB socket
in the front part of upholstery



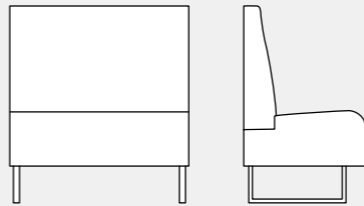
1400 Linear module L 75 cm.



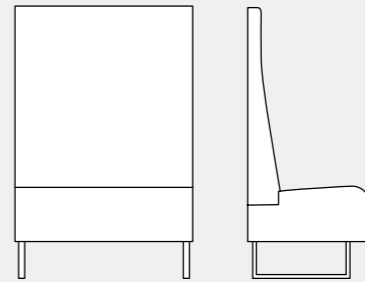
1400A Linear module L 75 cm.



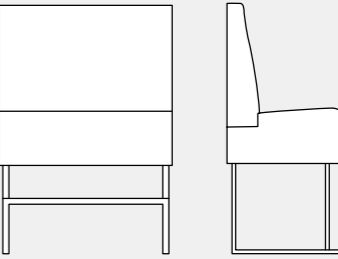
1410 Linear module L 75 cm.



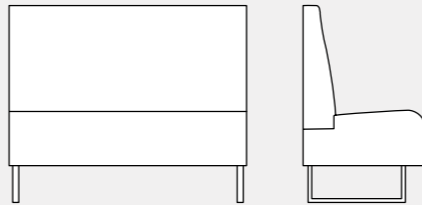
1401 Linear module L 90 cm.



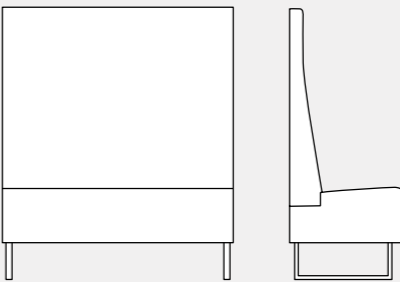
1401A Linear module L 90 cm.



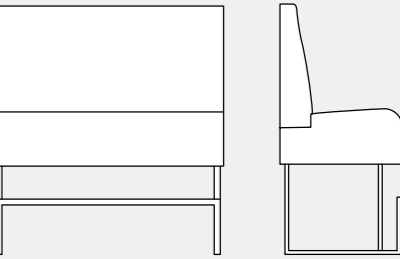
1411 Linear module L 90 cm.



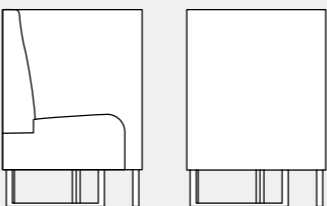
1402 Linear module L 120 cm.



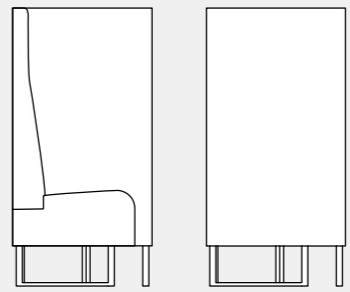
1402A Linear module L 120 cm.



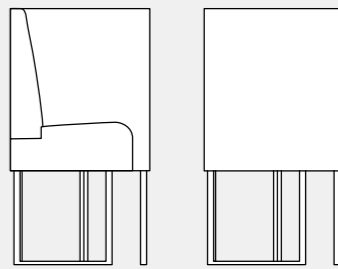
1412 Linear module L 120 cm.



1405 Corner module.



1405A Corner module.



1415 Corner module.

**Seat H 47 cm.
Backrest H 100 cm.**

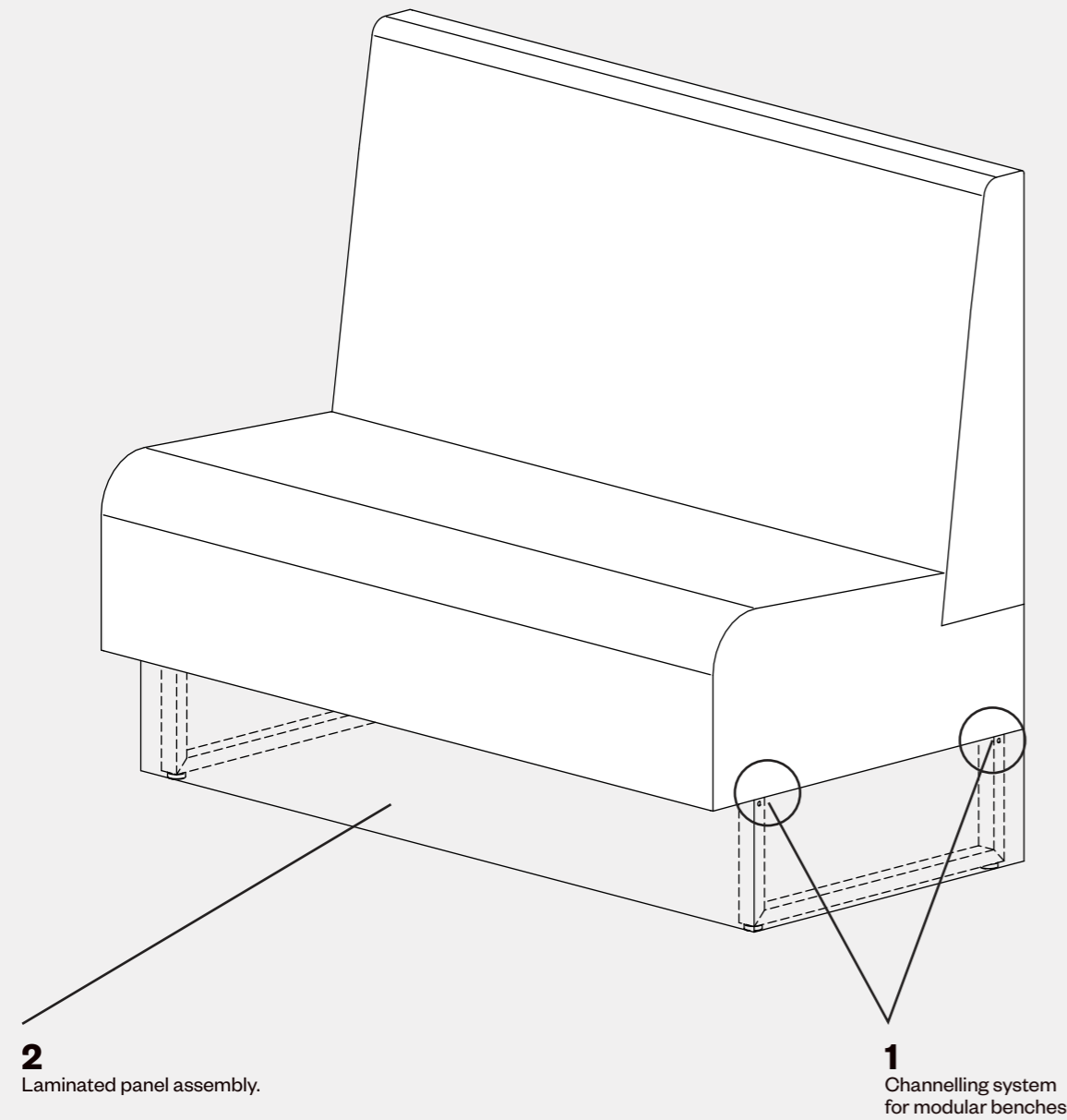
**Seat H 47 cm.
Backrest H 140 cm.**

Seat H 75/65 * cm.

- Accessory:** Schuko socket
- Accessory:** USB socket
- Accessory:** upholstered rear closing panel
- Accessory:** laminate panel covering the frame (only for versions with seat h.47)

* seat h 65 cm upon request

Assembly instructions



Channelling system for modular benches

Components

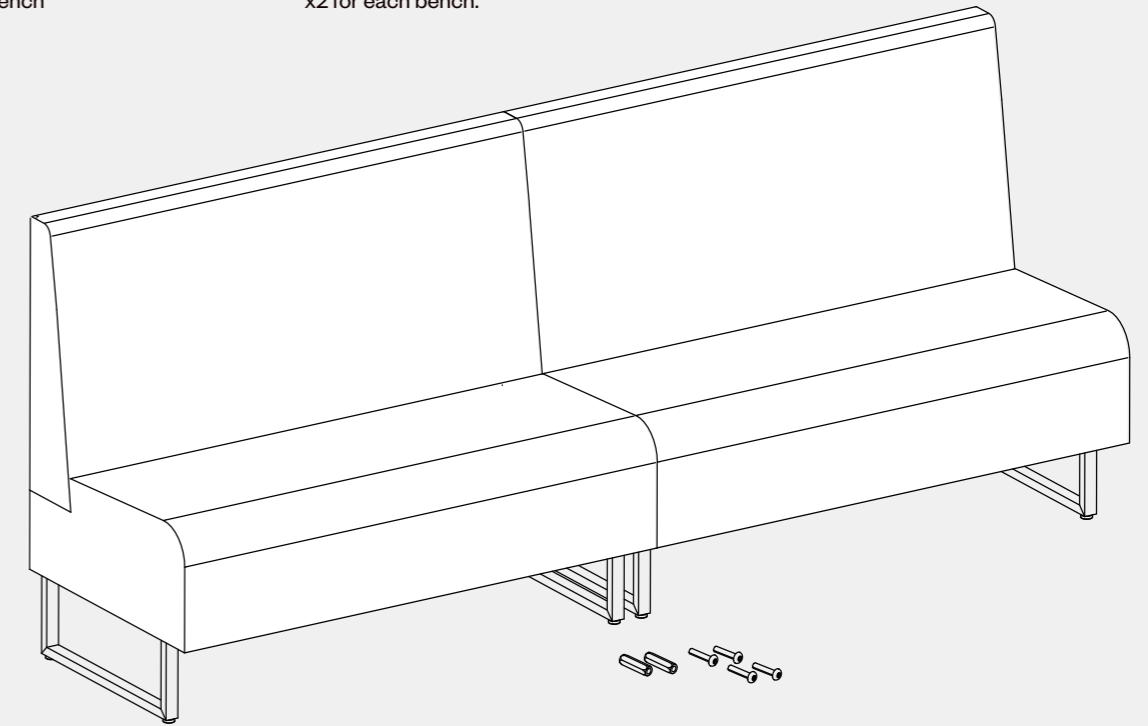


Tbutton screw
x4 for each bench

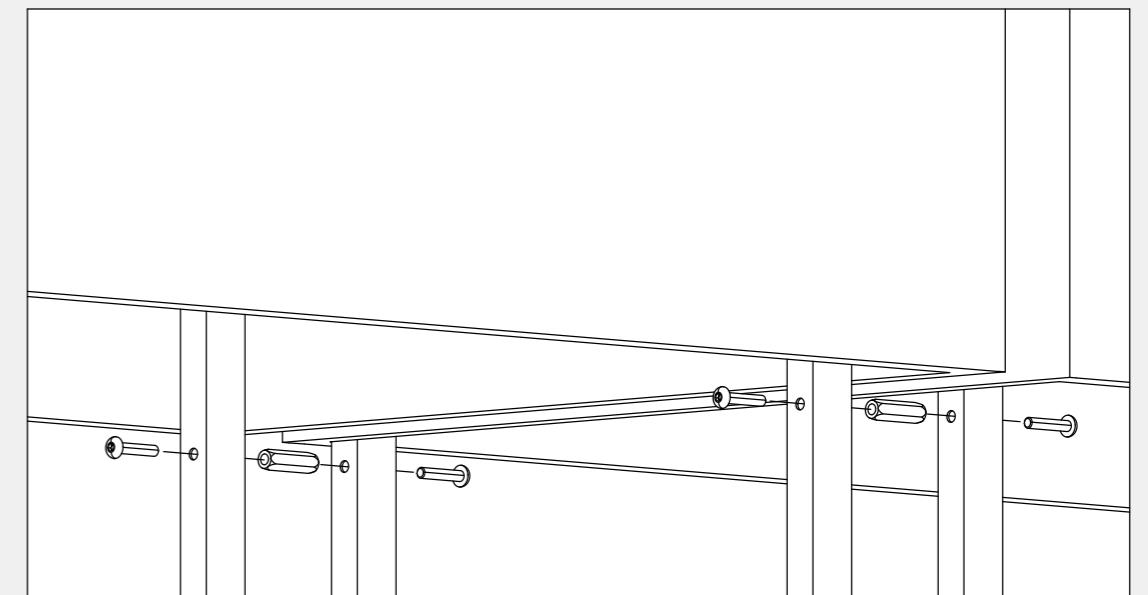


Spacer
x2 for each bench.

Step 0



Step 1



Laminated panel assembly

Components

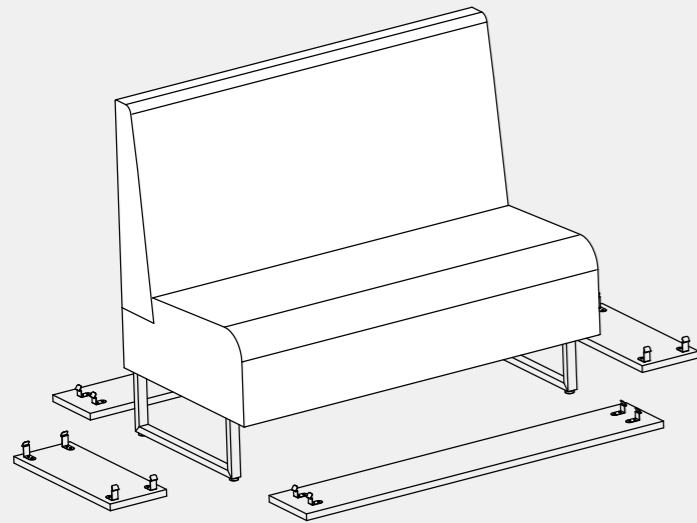


Front-rear panel

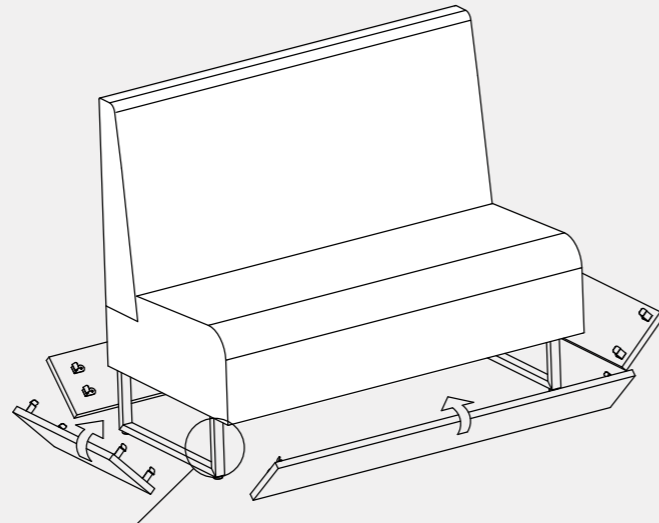


Side panel

Step 0



Step 1



Step 2

Fixing the panels
Push until it has been joint
to the frame

