

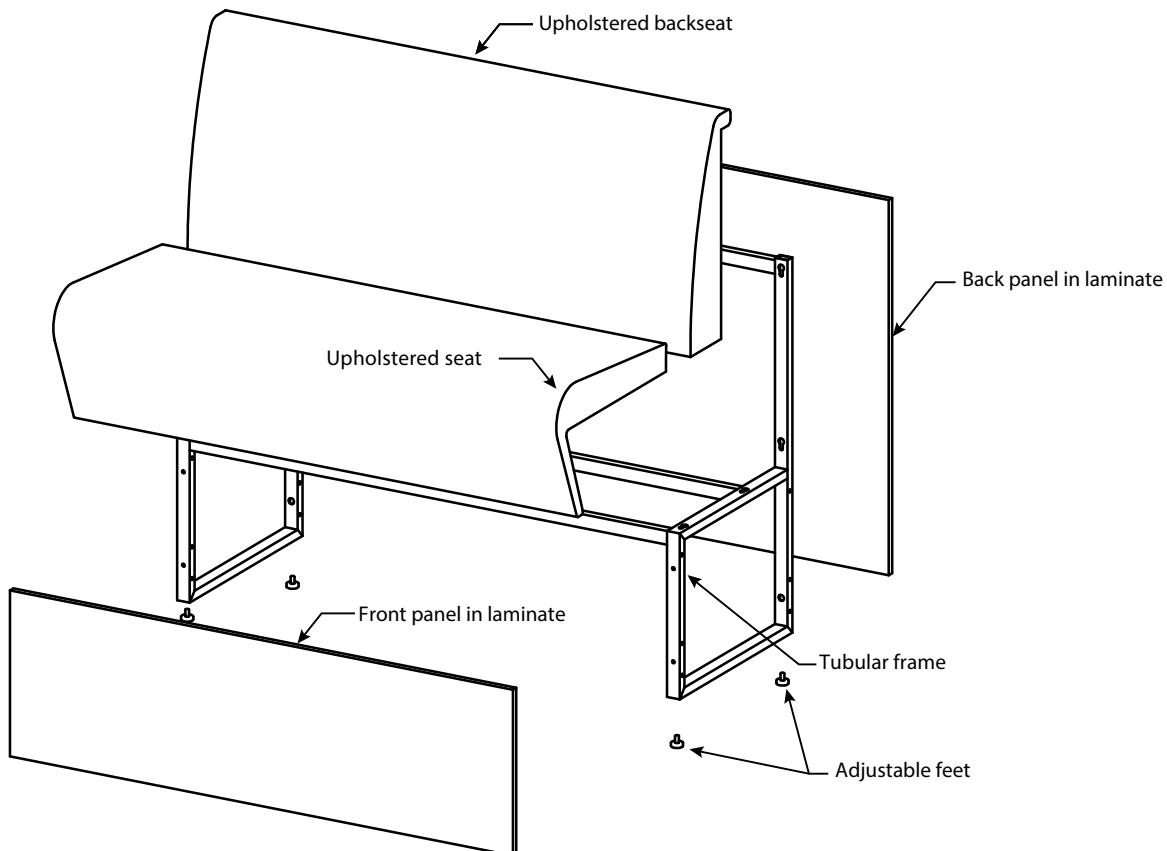
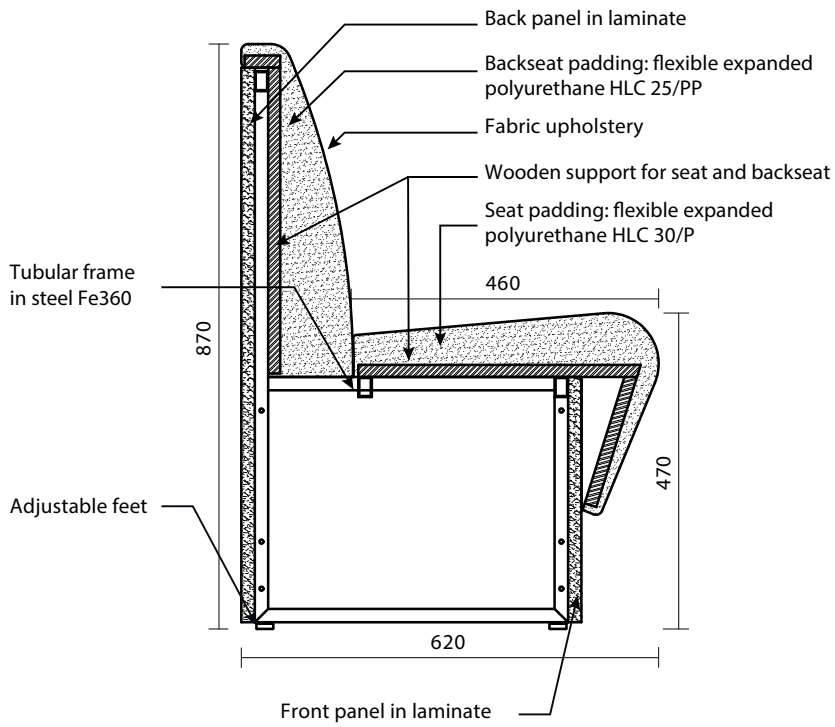
Space design rdm

Upholstered sectional sofa characterized by a simple and elegant design, ideal for waiting halls, conversational and catering areas. Steel frame, removable seat and back, covering in fabric, leather or imitation leather, laminate frontal base, rear in laminate or covered, adjustable feet and standard channelling system.

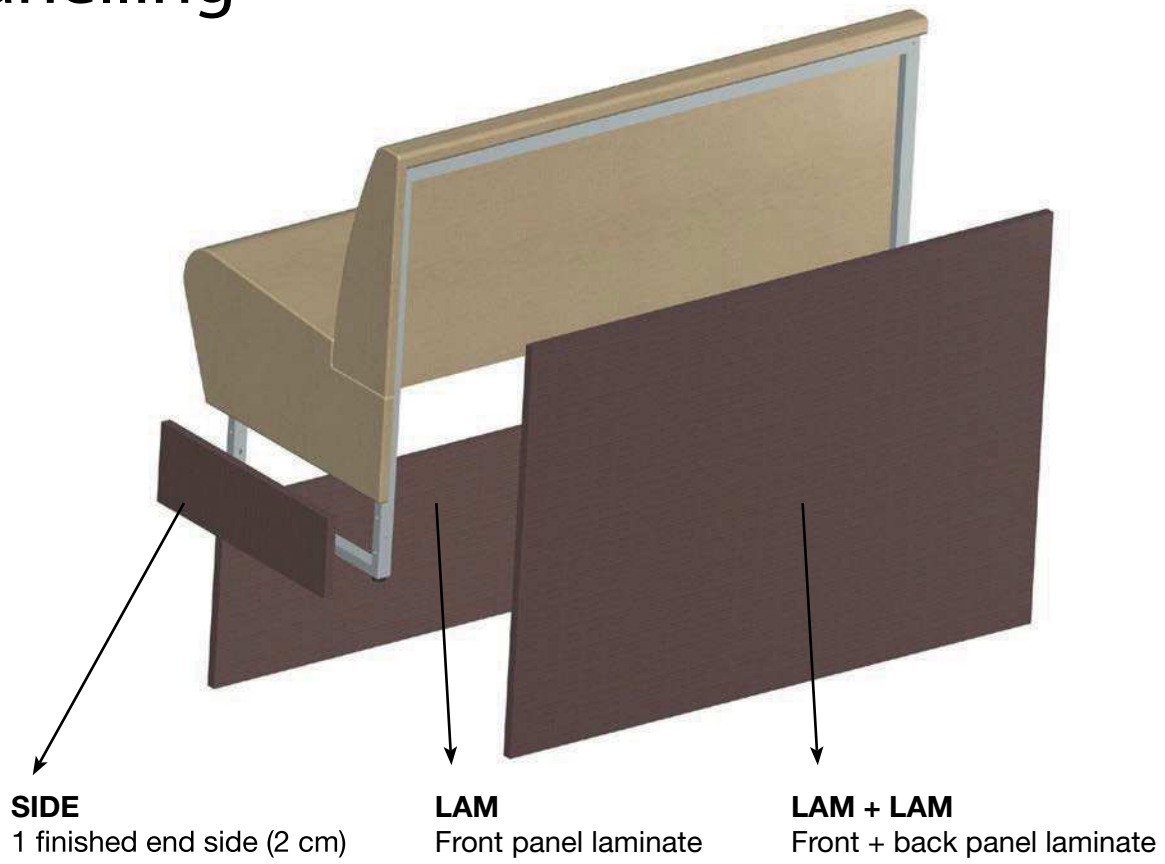
The Space collection includes different linear or corner modules with two seating heights of 47 and 75 cm. The modules can be tailored in width and backrest height to meet the different needs of furnishing.



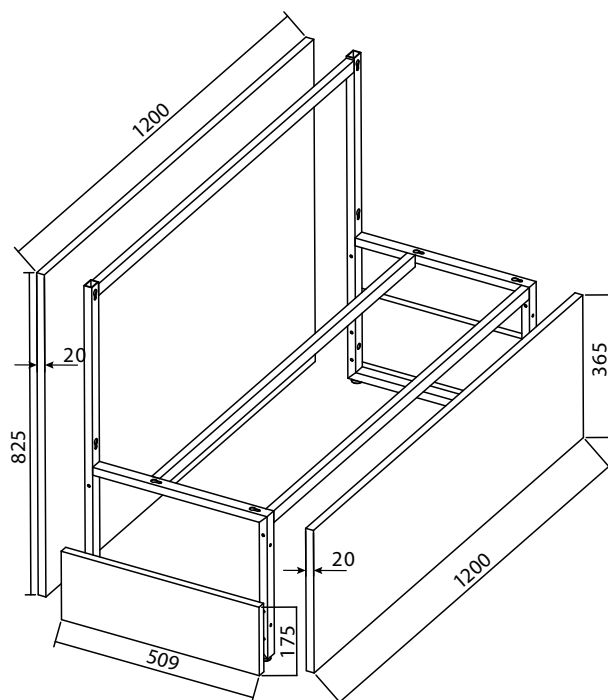
Technical Features



Panelling

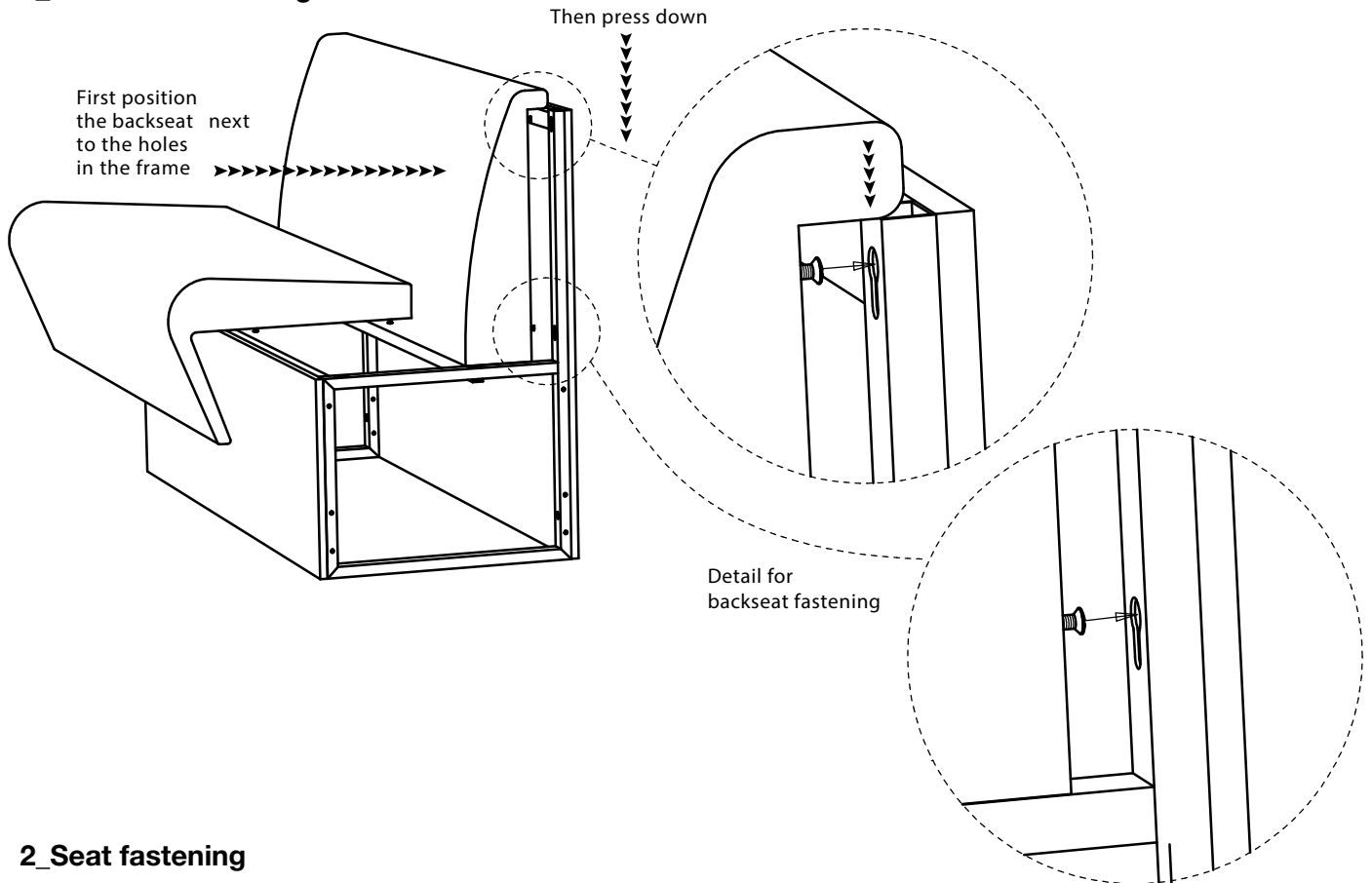


Example:
Space 249

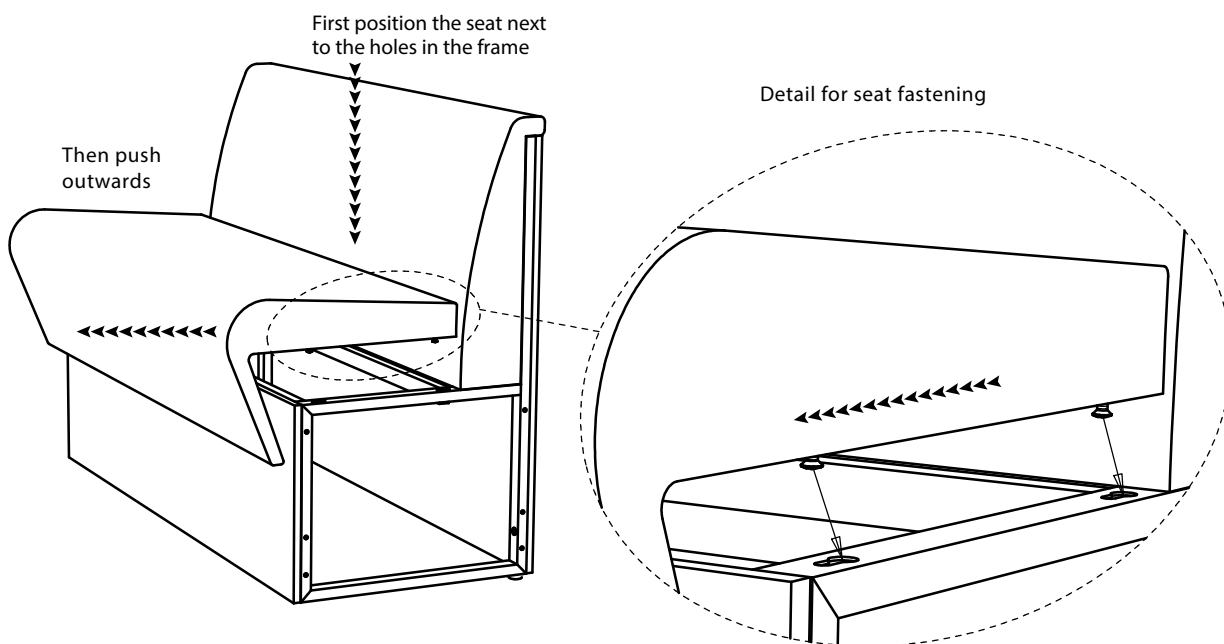


Upholstery assembly

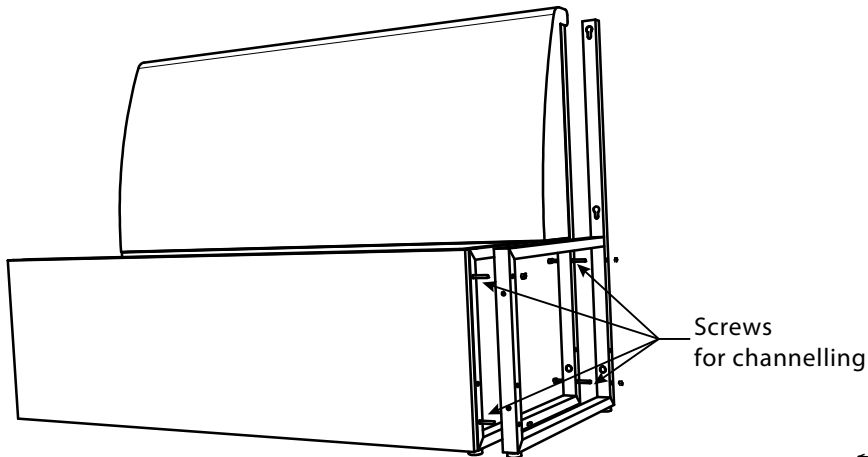
1_Backseat fastening



2_Seat fastening

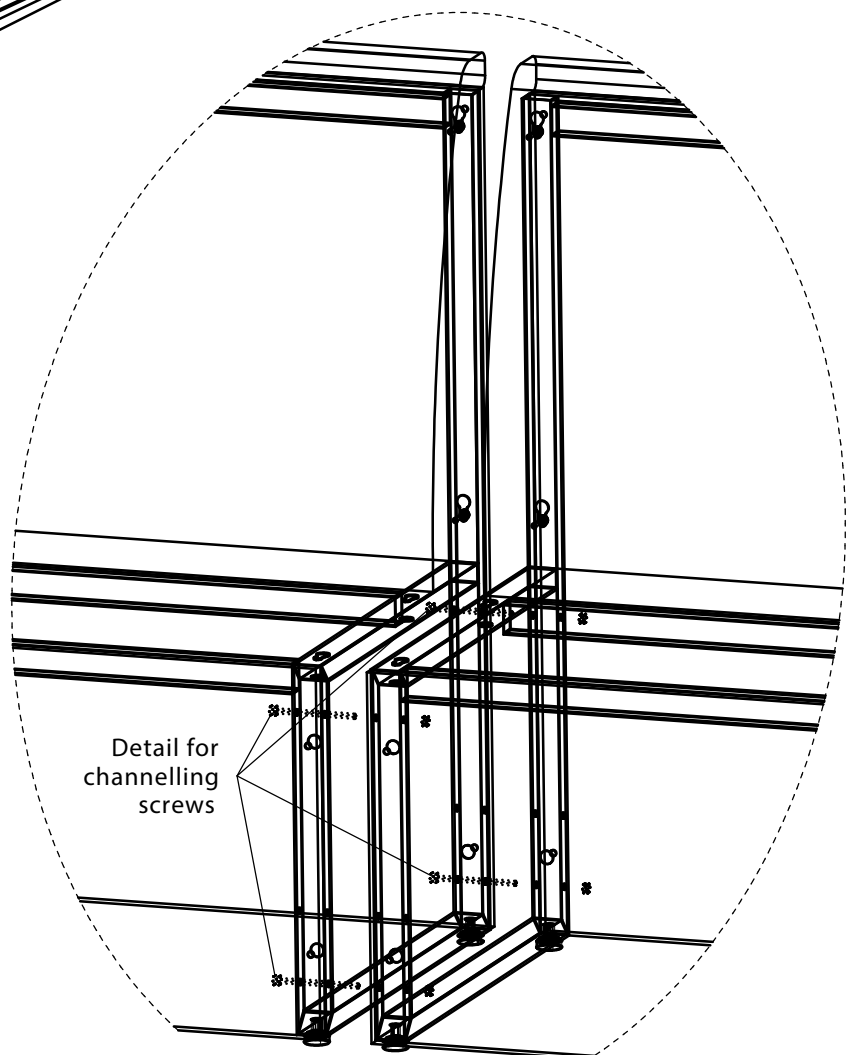


Channelling system



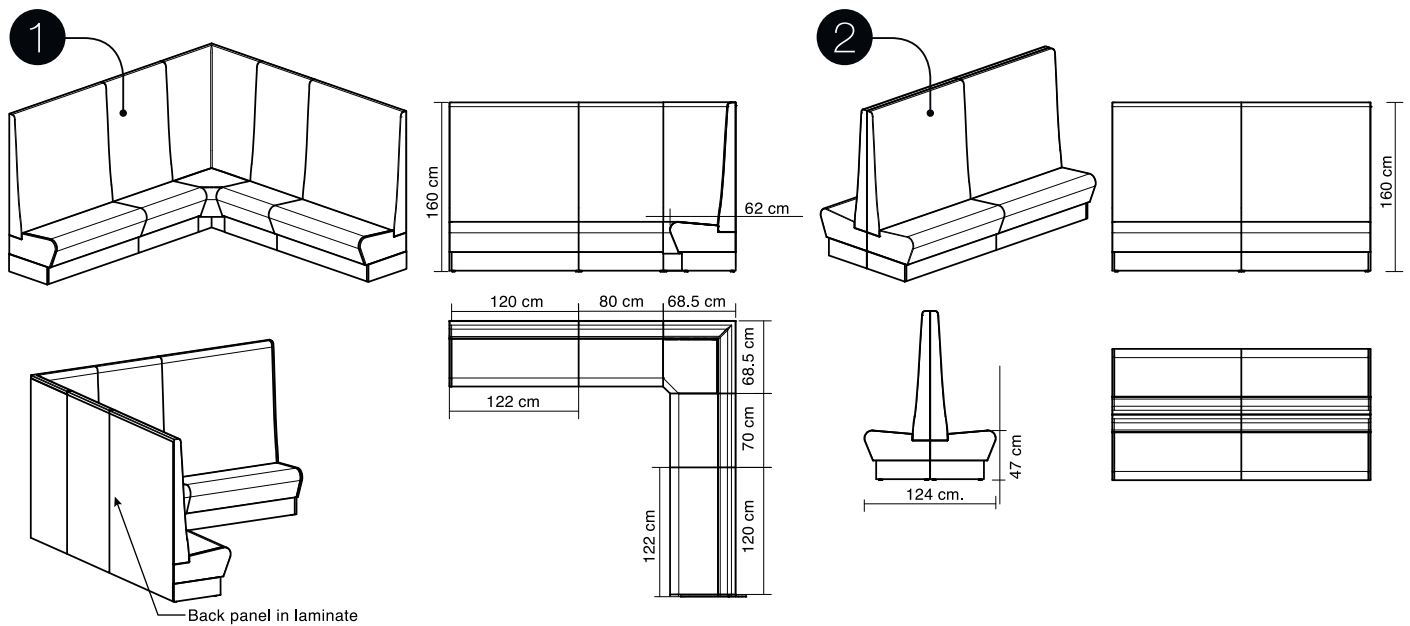
Instructions for channelling

- 1_Put the bench into place
- 2_ Take the seat down by pushing it towards the backseat and then pulling it upwards
- 3_ The screws detail for channelling screws insert for channelling
- 4_Adjust the feet
- 5_Assemble the seat again.



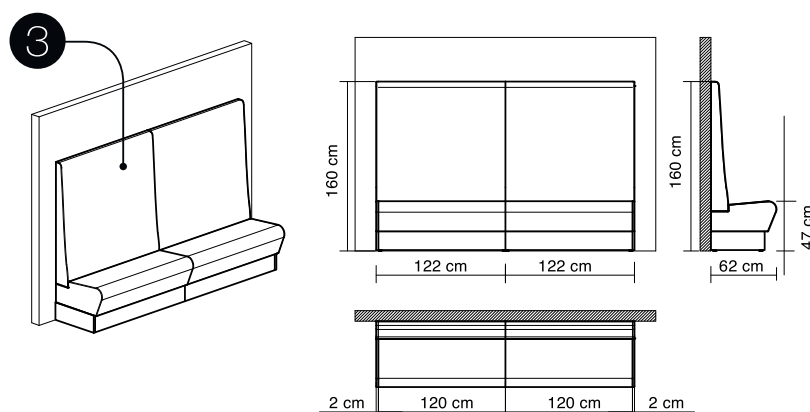
Available compositions with 160cm seatback

Examples of possible compositions using modules with 160cm seatback



1_ Composition with one corner module

2_ Back-to-Back composition



3_ Composition admitted only with modules against the wall or fixed to the floor

Customization

The backrest of the Space modules can be customized in different heights.



Customization

