

Salinero 1000

SALINERO COLLECTION:

Salinero 1000, Salinero 1001, Salinero 1002, Salinero 1003,
Salinero 1004, Salinero 1005,

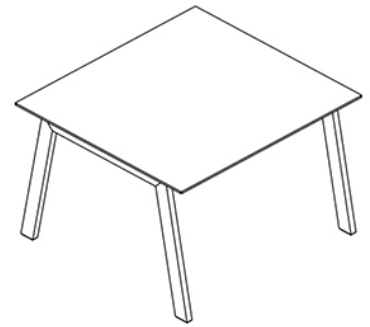
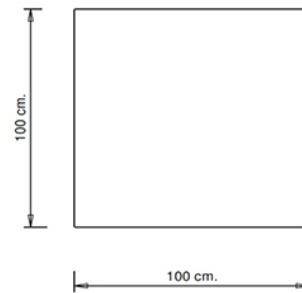
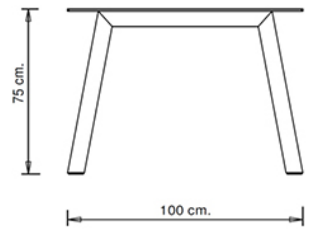
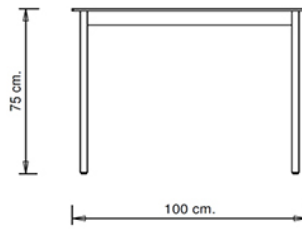


Table with 4 steel legs and 100x100 HPL solid laminate top. Top's edge legs.

WEIGHT

31,5 Kg

PACK

0,09 m³+ 0,17 m³

PIECES PER BOX

1

FINISHES TABLE TOPS FINISHES

STR - full color

HPL SOLID LAMINATE



White
≡

STR - compact

HPL SOLID LAMINATE



Graphite
Anti-fingerprints - cat G



Fenix NTM0720
Nero Ingo
Anti-fingerprints - cat H

FRAMES

AC STEEL



NCS S9000-N VR Matt Jet Black
☀

USES

hotels, educational, office and waiting areas, retail,

Salinero 1001

SALINERO COLLECTION:

Salinero 1000, Salinero 1001, Salinero 1002, Salinero 1003, Salinero 1004, Salinero 1005,

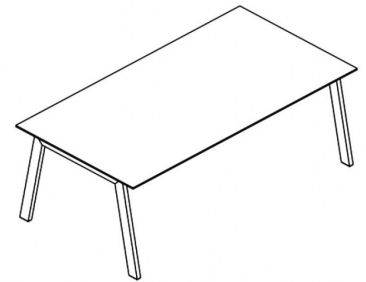
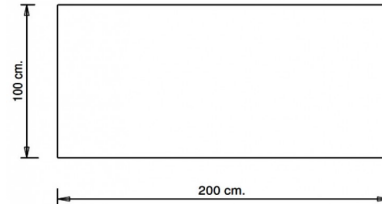
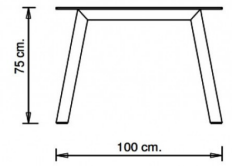
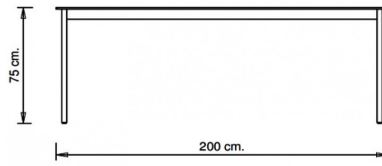


Table with 4 steel legs and 200x100 HPL solid laminate top. Top's edge legs.

Available accessories:

A. Power supply device. Electric socket and USB.

B. Retractable wireless charging device for smartphones equipped with Qi wireless receiver or with appropriate adapter or cover or film for battery.

C. Buttonhole on top with cable collection channel.

D. Cable guide for desk / floor.

The accessory D can be inserted in any combination.

Accessories A and C are not compatible with each other.

Available combinations

A (+D)

B (+D)

C (+D)

AB (+D)

BC (+D)

WEIGHT

49,5 Kg

PACK

0,09 m³ + 0,34 m³

PIECES PER BOX

1

FINISHES TABLE TOPS FINISHES

STR - full color

HPL SOLID LAMINATE



White
≡

STR - compact

HPL SOLID LAMINATE



Graphite
Anti-fingerprints - cat G



Fenix NTM0720
Nero Ingo
Anti-fingerprints - cat H

FRAMES

AC STEEL



NCS S9000-N VR Matt Jet Black
☀

USES

hotels, educational, office and waiting areas, retail,

Salinero 1002

SALINERO COLLECTION:

Salinero 1000, Salinero 1001, Salinero 1002, Salinero 1003, Salinero 1004, Salinero 1005,

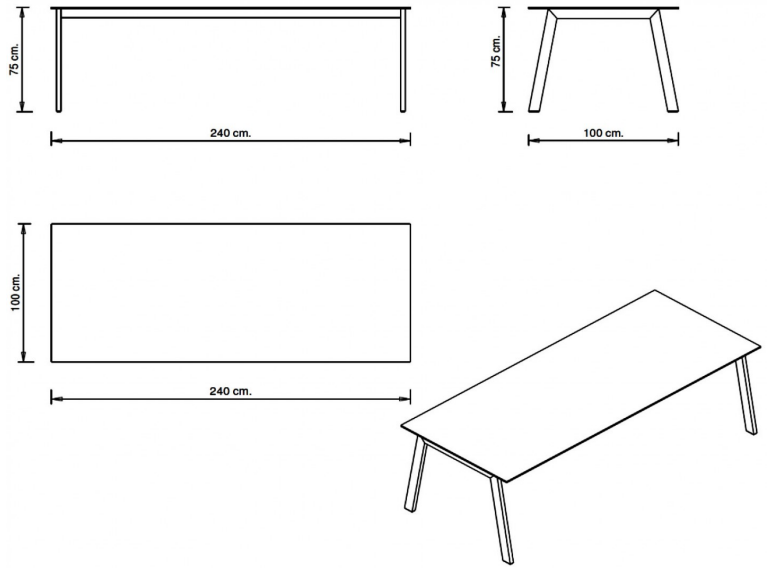


Table with 4 steel legs and 240x100 HPL solid laminate top. Top's edge legs.

Available accessories:

- A. Power supply device. Electric socket and USB.
- B. Retractable wireless charging device for smartphones equipped with Qi wireless receiver or with appropriate adapter or cover or film for battery.
- C. Buttonhole on top with cable collection channel.
- D. Cable guide for desk / floor.

The accessory D can be inserted in any combination.

Accessories A and C are not compatible with each other.

Available combinations

- A (+D)
- B (+D)
- C (+D)
- AB (+D)
- BC (+D)

WEIGHT

56,7 Kg

PACK

0,09 m³ + 0,43 m³

PIECES PER BOX

1

FINISHES TABLE TOPS FINISHES

STR - full color

HPL SOLID LAMINATE



White



STR - compact

HPL SOLID LAMINATE



Graphite
Anti-fingerprints - cat G



Fenix NTM0720
Nero Ingo
Anti-fingerprints - cat H

FRAMES

AC STEEL



NCS S9000-N VR Matt Jet Black



USES

hotels, educational, office and waiting areas, retail,

Salinero 1003

SALINERO COLLECTION:

Salinero 1000, Salinero 1001, Salinero 1002, Salinero 1003, Salinero 1004, Salinero 1005,

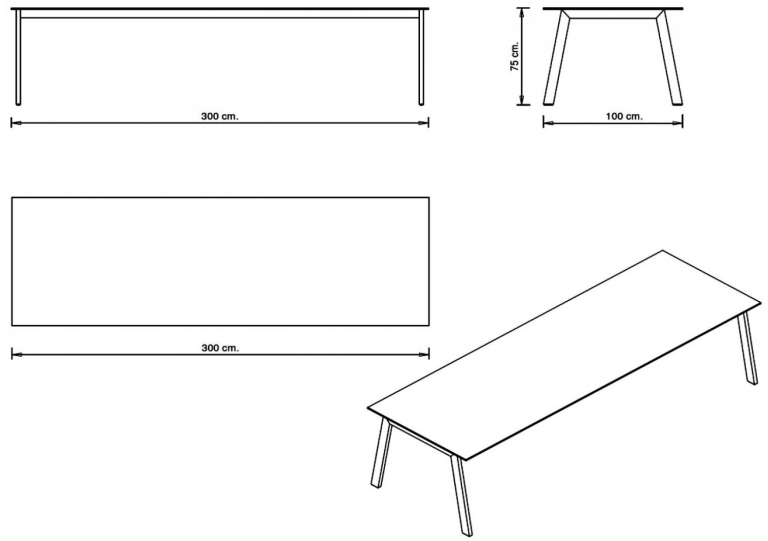


Table with 4 steel legs and 300x100 HPL solid laminate top. Top's edge legs.
Available accessories:

- A. Power supply device. Electric socket and USB.
- B. Retractable wireless charging device for smartphones equipped with Qi wireless receiver or with appropriate adapter or cover or film for battery.
- C. Buttonhole on top with cable collection channel.
- D. Cable guide for desk / floor.

The accessory D can be inserted in any combination.
Accessories A and C are not compatible with each other.

Available combinations

- A (+D)
- B (+D)
- C (+D)
- AB (+D)
- BC (+D)

WEIGHT

68,2 Kg

PACK

0,09 m³ + 0,53 m³

PIECES PER BOX

1

FINISHES TABLE TOPS FINISHES

STR - full color

HPL SOLID LAMINATE



White



STR - compact

HPL SOLID LAMINATE



Graphite
Anti-fingerprints - cat G



Fenix NTM0720
Nero Ingo
Anti-fingerprints - cat H

FRAMES

AC STEEL



NCS S9000-N VR Matt Jet Black



USES

hotels, educational, office and waiting areas, retail,

Salinero 1004

SALINERO COLLECTION:

Salinero 1000, Salinero 1001, Salinero 1002, Salinero 1003, Salinero 1004, Salinero 1005,

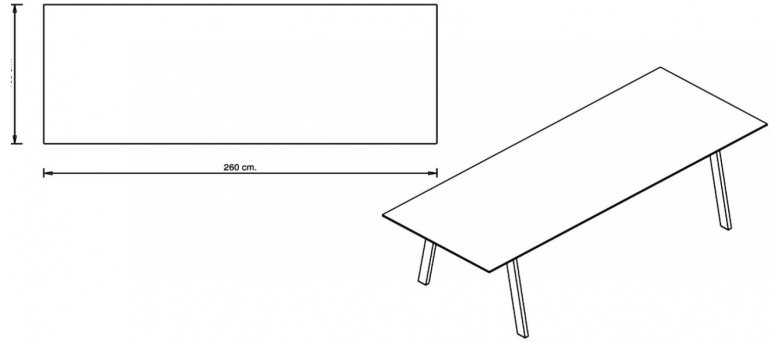
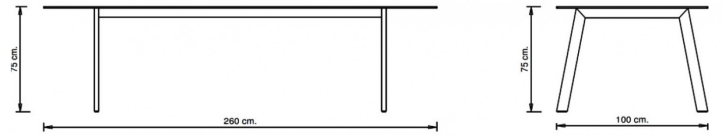


Table with 4 steel legs and 260x100 HPL solid laminate top. Recessed legs.

Available accessories:

A. Power supply device. Electric socket and USB.

B. Retractable wireless charging device for smartphones equipped with Qi wireless receiver or with appropriate adapter or cover or film for battery.

C. Buttonhole on top with cable collection channel.

D. Cable guide for desk / floor.

The accessory D can be inserted in any combination.

Accessories A and C are not compatible with each other.

Available combinations

A (+D)

B (+D)

C (+D)

AB (+D)

BC (+D)

WEIGHT

58,1 Kg

PACK

0,09 m³ + 0,46 m³

PIECES PER BOX

1

FINISHES TABLE TOPS FINISHES

STR - full color

HPL SOLID LAMINATE



White
≡

STR - compact

HPL SOLID LAMINATE



Graphite
Anti-fingerprints - cat G



Fenix NTM0720
Nero Ingo
Anti-fingerprints - cat H

FRAMES

AC STEEL



NCS S9000-N VR Matt Jet Black
☀

USES

hotels, educational, office and waiting areas, retail,

Salinero 1005

SALINERO COLLECTION:

Salinero 1000, Salinero 1001, Salinero 1002, Salinero 1003, Salinero 1004, Salinero 1005,

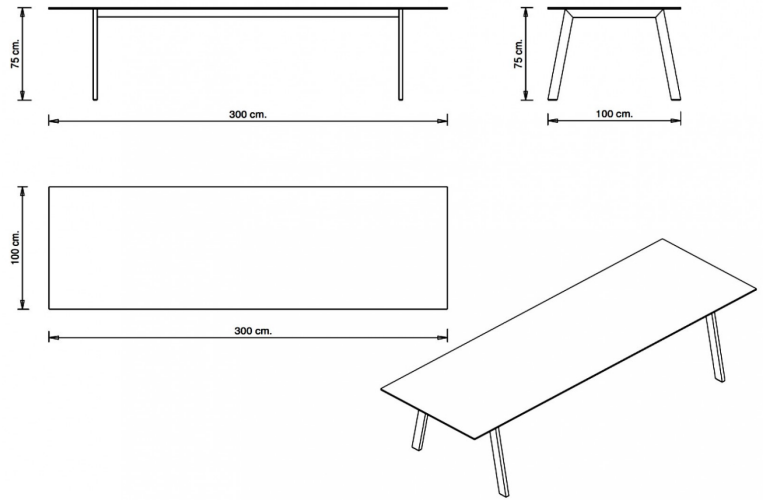


Table with 4 steel legs and 300x100 HPL solid laminate top. Recessed legs.

Available accessories:

A. Power supply device. Electric socket and USB.

B. Retractable wireless charging device for smartphones equipped with Qi wireless receiver or with appropriate adapter or cover or film for battery.

C. Buttonhole on top with cable collection channel.

D. Cable guide for desk / floor.

The accessory D can be inserted in any combination.

Accessories A and C are not compatible with each other.

Available combinations

A (+D)

B (+D)

C (+D)

AB (+D)

BC (+D)

WEIGHT

66,7 Kg

PACK

0,09 m³ + 0,53 m³

PIECES PER BOX

1

FINISHES TABLE TOPS FINISHES

STR - full color

HPL SOLID LAMINATE



White
≡

STR - compact

HPL SOLID LAMINATE



Graphite
Anti-fingerprints - cat G



Fenix NTM0720
Nero Ingo
Anti-fingerprints - cat H

FRAMES

AC STEEL



NCS S9000-N VR Matt Jet Black
☀

USES

hotels, educational, office and waiting areas, retail,