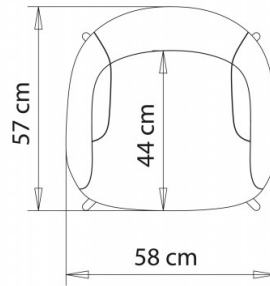
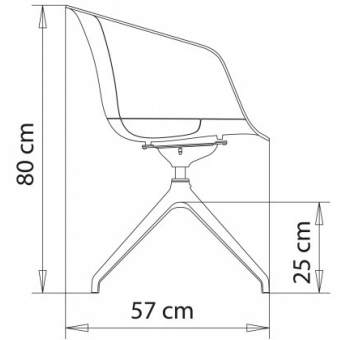
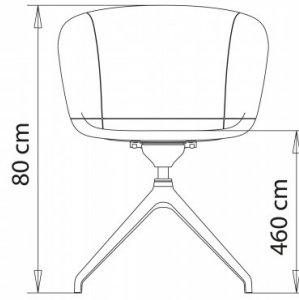


## Dunk 1193

**DUNK COLLECTION:**

Dunk 1191, Dunk 1190, Dunk 1191m, Dunk 1191n, Dunk 1192, Dunk 1192m, Dunk 1192n, Dunk 1193, Dunk 1193m, Dunk 1193n, Dunk 1194, Dunk 1194m, Dunk 1194n, Dunk 1195m, Dunk 1195, Dunk 1195n, Dunk 1196, Dunk 1196m, Dunk 1196n,



Swivel armchair, shell in closed version, with 4 star die cast aluminium frame.

**WEIGHT**

7,4 Kg

**PACK**

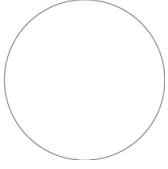
0,38 m<sup>3</sup>

**PIECES PER BOX**

1

## FINISHES SEATING

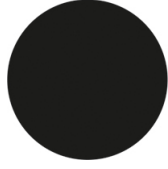
### PP POLYPROPYLENE



NCS S0502-B  
Traffic white



NCS S4040-R  
Marsala



NCS S9000-N  
Jet black



## NOTE

### Resources

3ds  | dwg 

The marsala-coloured shell, available in open and closed versions, is made of r-PP (recycled PP) polypropylene from sorted packaging and products at the end of their life cycle.

---

## FRAMES

---

### AL VR PAINTED ALUMINIUM



NCS S9000-N VR Matt Jet Black



### AL PSH POLISHED ALUMINIUM



Polished aluminium

## USES

---

coffee & restaurants, hotels, educational, entertainment, travel, office and waiting areas, retail, health care,