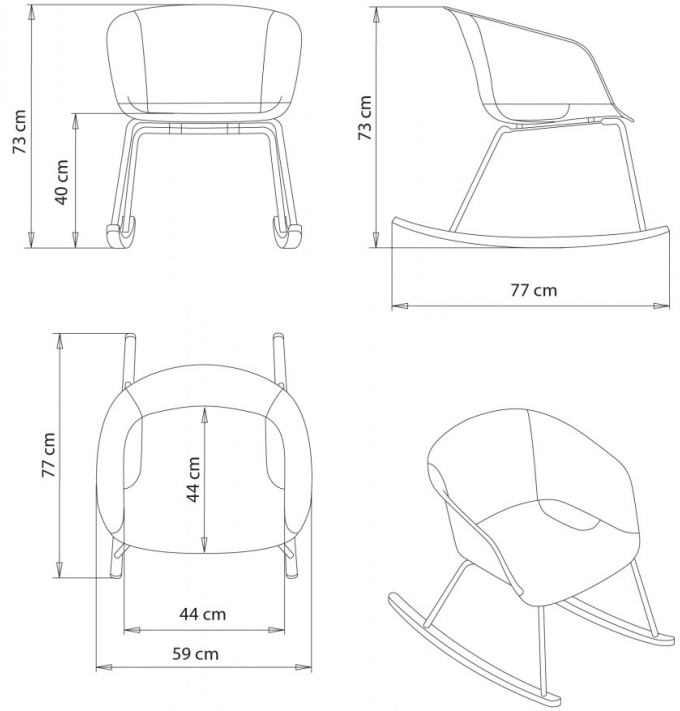


Dunk 1196

DUNK COLLECTION:

Dunk 1191, Dunk 1190, Dunk 1191m, Dunk 1191n, Dunk 1192, Dunk 1192m, Dunk 1192n, Dunk 1193, Dunk 1193m, Dunk 1193n, Dunk 1195m, Dunk 1195n, Dunk 1195, Dunk 1196, Dunk 1196m, Dunk 1196n,



Rocking armchair with wooden and steel frame. Shell in closed version.

WEIGHT

6,3 Kg

PACK

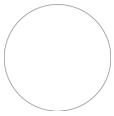
0,57 m³

PIECES PER BOX

1

FINISHES SEATING

PP POLYPROPYLENE



NCS S0502-B
Traffic white
(Available while stocks last)



NCS S9000-N
Jet black



NCS S4040-R
Marsala

NOTE

Resources

3ds



dwg



The marsala-coloured shell, available in open and closed versions, is made of r-PP (recycled PP) polypropylene from sorted packaging and products at the end of their life cycle.

Philippe Tabet

FRAMES

AC STEEL



NCS S0500-N VR Pure white



NCS s0502-b VR Traffic white



NCS S 2005-G90Y
Hemp white



VR Pewter



NCS S4000-N VR White
aluminium



NCS S9000-N VR Jet black



NCS S9000-N VR Matt Jet
Black



RAL 7016 Anthracite grey



NCS S8005-Y20R Brown



VR Rough metallic bronze



NCS S4040-R
Marsala



NCS S 5030-Y70R
Terracotta



CR Chrome



NCS S3060-Y80R
Coral red



NCS S3060-Y Curry



NCS S4050-B40G
Water blue



NCS S7020-G50Y
Olive green

LE BEECH WOOD



Beech | Honey stained

AC STEEL



NCS S6030-B
Capri blue

LE BEECH WOOD



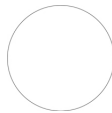
Beech | Chesnut stained



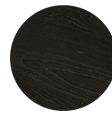
Beech | Grey stained



Beech | Dark brown stained



Beech | Stained according to
sample



beech | Black stained

USES

coffee & restaurants, office and waiting areas, retail, Residenziale,