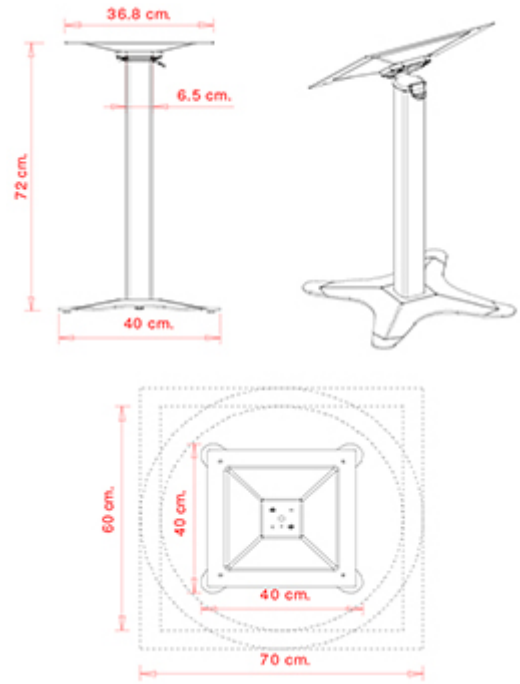


## EX 517R

EX COLLECTION:  
EX 517, EX 517R,



### TABLE TOPS:

Ø 60 cm  
Ø 70 cm  
60x60 cm  
70x70 cm

Folding table frame with moulded steel base and aluminium column.  
Accessories  
Outdoor version

### WEIGHT

9,5 kg

### PACK

0,06 m<sup>3</sup>

### PIECES PER BOX

2

### NOTE

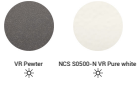
Optional: H 12 mm adjustable feet



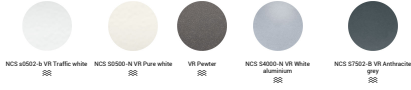
## Rdm

### FRAMES

#### AC STEEL



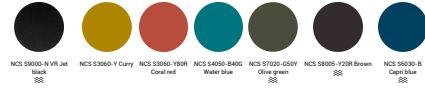
#### AL VR PAINTED ALUMINIUM



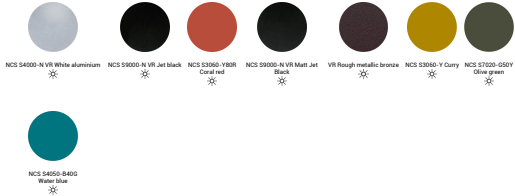
#### AC STEEL



#### AL VR PAINTED ALUMINIUM



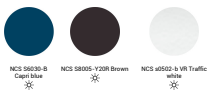
#### AC STEEL



#### AL VR PAINTED ALUMINIUM



#### AC STEEL



#### AL VR PAINTED ALUMINIUM



#### AC STEEL



### CERTIFICATIONS

> UNI/EN 15372:2008+1730:2002 - Par. 6. Prova 1. Stabilità con carico verticale 1 - Uso generale (05/10/16)

### USES

coffee & restaurants, hotels, retail, outdoor.