

MT 483A

MT COLLECTION:

MT 481, MT 481A, MT 481F, MT 481A F, MT 482, MT 482A, MT 483, MT 483A, MT 484, MT 484A, MT 491 Q, MT 491A Q, MT 491 T, MT 491A T, MT 493, MT 498 Q, MT 497, MT 497 A, MT 498A Q, MT 498 T, MT 499 Q, MT 499A Q, MT 499 T, MT 499A T, MT 498A T,

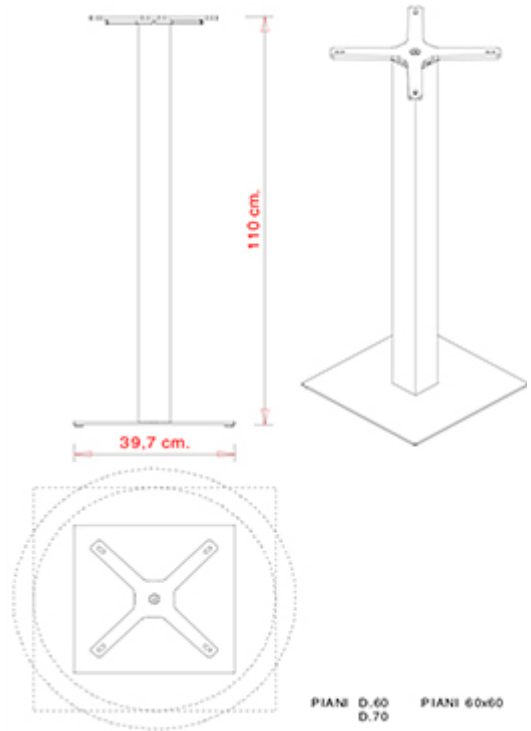
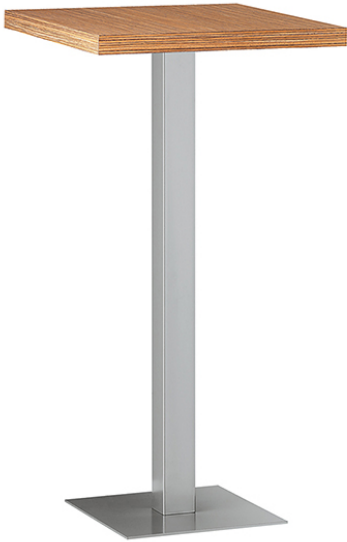


TABLE TOPS: Ø 60 cm Ø 70 cm
60x60 cm

Table frame in painted steel.

WEIGHT

15,1 kg

PACK

0,06 m³

PIECES PER BOX

2

NOTE

Resources

3ds



| dwg



Optional: H 12 mm adjustable feet

FRAMES

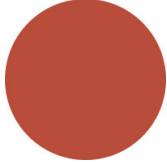
AC STEEL



NCS S4000-N VR
White aluminium
☀



NCS S9000-N VR Jet
black
☀



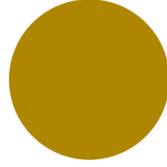
NCS S3060-Y80R
Coral red
☀



NCS S9000-N VR Matt
Jet Black
☀



VR Rough metallic
bronze
☀



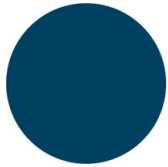
NCS S3060-Y Curry
☀



NCS S7020-G50Y
Olive green
☀



NCS S4050-B40G
Water blue
☀



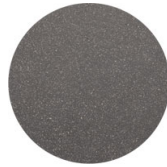
NCS S6030-B
Capri blue
☀



NCS S8005-Y20R
Brown
☀



NCS s0502-b VR
Traffic white
☀



VR Pewter
☀



NCS S0500-N VR
Pure white
☀



NCS S7502-B VR
Anthracite grey
☀

USES

coffee & restaurants, hotels, educational, entertainment, travel, office and waiting areas, retail, health care,